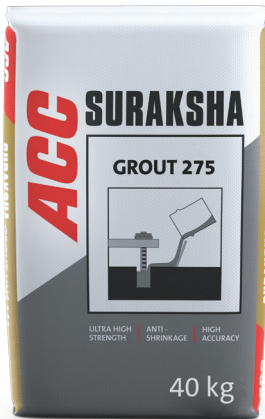


ACC SURAKSHA GROUT 275

ACC Suraksha GROUT 275 is high strength, shrinkage compensated and flow-able precision cementitious grout. It is designed for precision anchoring of machinery and metallic structure. This is best suited to withstand the static and dynamic load



KEY FEATURES

- Base plate grouting of machinery and equipment
- Anchoring of structural work
- Rigid joint filling between elements in concrete and pre-cast structures

STANDARDS

ASTM C 1107

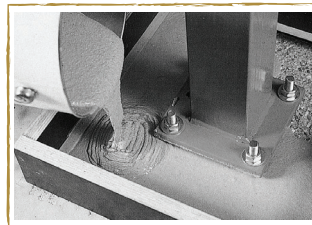
TECHNICAL PROPERTIES

- Mixed density : 2100-2300 Kg/ltr
- 28 day comprehensive strength : 70-75Mpa
- Pot life : 20-40 minutes
- Bulk density : 1.5-1.7Kg/ltr
- Pull-out bond strength : ≥ 2.5 Mpa
- Water powder ratio : 11-13%

USES & APPLICATIONS



• Heavy Equipment & Machines



• Grouting & Fixing



• Pre-cast



• Section Enlargement

ADVANTAGES

- Ready to use, only water needs to be added
- High strength
- High precision and anti-shrink
- Excellent flow-ability

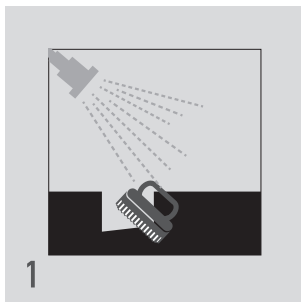
PACKAGING, SHELF LIFE & STORAGE

- Available in 40kg Ad Star bag
- 6 months from the date of manufacturing
- Store in a dry place away from moisture

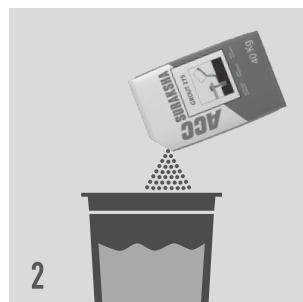
YIELD

40Kg bag : 20-22 ltr

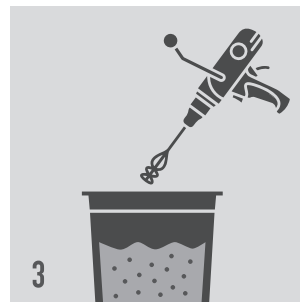
SURFACE PREPARATION, MIXING & APPLICATION



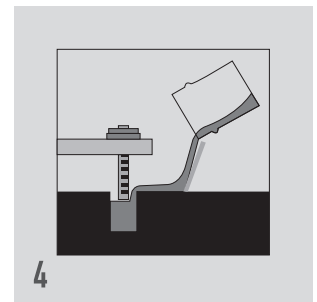
Surface should be pre-wetted with clean water to remove all loose particles, oil, grease etc.



Pour required quantity of ACC Suraksha Grout 275 into water (11-13%) to get desired consistency.



For mixing use spiral mixer at low speed in a clean bucket. Mix well to obtain a lump-free smooth paste.



Briefly stir the mixture prior to application and pour the mix continuously.

SAFETY INSTRUCTION

- Use proper PPE's while using this product to avoid any kind of respiratory issues or skin irritation. In case of contact with eyes, rinse with plenty of water
- Contact Doctor immediately
- Keep out of reach of Children

Disclaimer: All the above mentioned in this brochure is to be treated as general guidance only. Specific product technical advice regarding its usage & test data should be sought for based on different conditions. An experienced technical advisory team is available to give technical details upon request. For more details contact below

Marketed by: ACC LIMITED, 121 M.K. Road, Mumbai 400020,

Contact : Customer Care Manager | Phone : 1800 1033 444 | Email: acchelp@acclimited.com